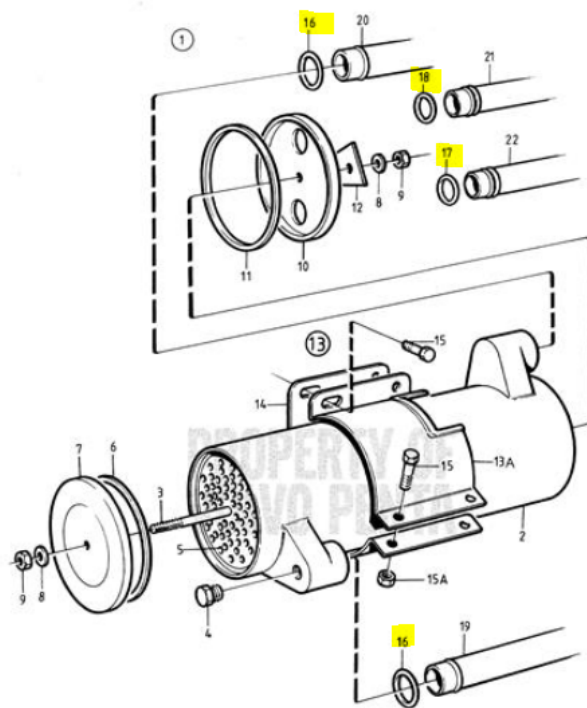


<https://www.marinepartseurope.com/en/volvo-penta-418411-sealing-ring.aspx> (4)

<https://www.marinepartseurope.com/en/volvo-penta-829714-sealing-ring.aspx> (2)

<https://www.marinepartseurope.com/en/volvo-penta-418445-sealing-ring.aspx>

2002, 2002B, 2002AG, 2002BG, 2003, 2003B, 2003AG, 2003BG

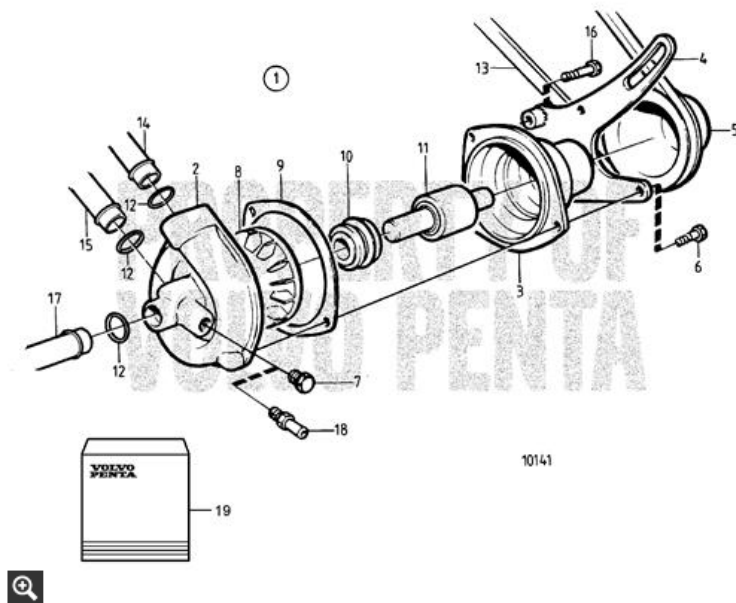


#	Description	PartNo.	Qty	Price/each (EUR)
1	Heat Exchanger	859360	1	1 431,31
Replaced by heat exchanger 859360 and installation kit 859387, SN-2300032619				
1	Heat Exchanger	859360	1	1 431,31
SN2300032620-				
2	• Housing		1	Out of production
3	• bar	829991	1	54,53
4	• Plug	479979	1	2,83
5	• Insert		1	Out of production
6	• Gasket	829972	1	9,43
7	• End plate	829988	1	283,81
8	• Spring washer	941906	2	0,48
9	• Lock nut	963105	2	0,48
10	• End plate	840745	1	216,19
11	• Gasket	829989	1	16,08
12	• Cap	840746	1	14,88
13	Mounting kit	859095	1	46,66
• Bracket				
		859095	1	46,66
14	• Bracket	859363	1	11,31
15	• Flange screw	946173	4	0,48
• Flange nut				
		945408	2	0,48
16	Sealing ring	418411	2	0,50
17	Sealing ring	829714	1	0,84
18	Sealing ring	829714	1	0,84
19	Coolant pipe	840729	1	140,84
Expansion tank-heat exchanger-circulation pump				
20	Coolant pipe	840731	1	63,69
Thermostat housing-heat exchanger				
21	Coolant pipe	840735	1	63,69
Heat exchanger-exhaust bend, 2002,2002B				
21				Out of production
2002AG,2002BG				
21	Coolant pipe	840736	1	73,10
Heat exchanger-exhaust bend, 2003,2003B				
21				Out of production
2003AG,2003BG				
22	Coolant pipe	840724	1	80,40



## Volvo Penta Exploded view / schematic Circulation Pump

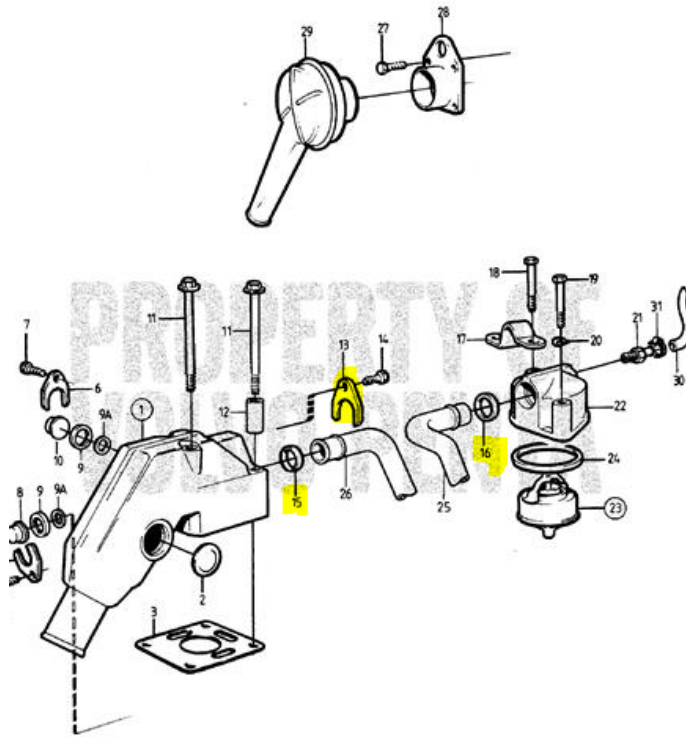
2002, 2002AG, 2003, 2003AG, 2003T



10141

#	Description	PartNo.	Qty	Price/each (EUR)
1	Circulation Pump	3812236	1	887,50
2	• Pump housing		1	Out of production
3	• Bearing housing		1	Out of production
4	• Bracket		1	Out of production
	Obsolete part			
5	• Pulley		1	Out of production
6	• Hexagon screw	955276	3	0,48
	L=35mm			
7	• Plug	949246	1	16,44
8	• Pump rotor	840709	1	81,19
	Included in repair kit 876270 for circulation pump 840710 and 860358.			
9	• Gasket	840795	1	5,00
	Included in repair kit 876270 for circulation pump 840710 and 860358.			
10	• pump sealing		1	Out of production
	Included in repair kit 876270 for circulation pump 840710 and 860358.			
11	• Water pump bearing	860359	1	737,26
	Included in repair kit 876270 for circulation pump 840710 and 860358.			
12	Sealing ring	418411	3	0,50
	Included in repair kit 876270 for circulation pump 840710 and 860358.			
13	V-belt	966906	1	19,29
14	Coolant pipe	840737	1	63,69
	Circulation pump-cylinder head			
15	Tube	840739	1	79,63
	Cylinder head-circulation pump			
16	Hexagon screw	955305	3	0,71
	L=75mm			

2002B, 2002AG, 2002BG, 2003, 2003B



11041

#	Description	PartNo.	Qty	Price/each (EUR)
1	Exhaust pipe elbow	840690	1	215,84
2	Expansion plug (192426)	477026	2	3,08
3	Gasket	840902	1	8,50
4	Hexagon screw To be installed in cylinder head	955269	1	0,48
5	Clamp To be installed in cylinder head	840676	1	8,43
6	Clamp	840676	1	8,43
7	Hexagon screw	955269	1	0,48
8	Plug To be installed in cylinder head	840797	1	8,76
9	Sealing ring To be installed in cylinder head	418445	2	2,91
	Washer	943194	2	2,63
10	Plug	840797	1	8,76
11	Flange screw	994388	4	0,74
12	Spacer sleeve	852661	2	8,76
13	Clamp Obsolete part		1	Out of production
14	Hexagon screw	955269	1	0,48
15	Sealing ring	418445	1	2,91
16	Sealing ring	418411	1	0,50
17	lift iron		1	Out of production
18	Hexagon screw L=50mm	955300	1	0,48
19	Hexagon screw L=45mm	955299	1	0,48
20	Spring washer	941907	1	0,48
21	Hose coupling	858185	1	27,98
22	Thermostat housing Obsolete part		1	Out of production
23	Thermostat kit For engine with heat exchanger, 74°C	875795	1	62,50
24	Sealing ring	416033	1	1,70
25	Coolant pipe Thermostat housing-heat exchanger	840731	1	63,69
26	Coolant pipe	840735	1	63,69

